

Bid Bulletin No.1

This Bid Bulletin is issued to amend/clarify items in the Bidding Documents for the **SUPPLY AND DELIVERY FOR VARIOUS TOOLS AND MATERIALS FOR 16TH RENOVATION (Phase 1)**, Public Bidding No. 2024-020.

SEC Requirement				Amendment/s			
Section VII. Technical Specifications <i>page 28</i> LOT 1: Ceiling Works				Section VII. Technical Specifications <i>page 28</i> LOT 1: Ceiling Works			
Item No.	Description	Qty.	Unit	Item No.	Description	Qty.	Unit
3	Double Metal Furring 19mm x 50mm x 5mm	2,784	pcs	3	<i>Double Metal Furring 19mm x 50mm x 5000mm</i>	2,784	pcs
9	Masonry Drill Bit 1/8"	20	pcs	9	<i>Masonry Drill Bit 3/8"</i>	20	pcs
				Note: Please see Annex A, revised page 28			
LOT 4: Construction Tools, Equipment and Accessories Page 33				LOT 4: Construction Tools, Equipment and Accessories Page 33			
Item No.	Description	Qty	Unit	Item No.	Description	Qty	Unit
35	Cutter Handle (Big) 18mm High Quality/Safety Knife with Snap off Blade Cutter Handle	10	pcs	35	Cutter Handle (Big) 18mm High Quality/Safety Knife with Snap off Blade Cutter Handle	12	pcs
36	Cutter Blade Refill Quick point 18mm (10pcs. /pack)	10	pack s	36	Cutter Blade Refill Quick point 18mm (10pcs. /pack)	11	packs
				Note: Please see Annex B, revised page 33			
LOT 6: Plumbing works and Accessories Page 36				LOT 6: Plumbing works and Accessories Page 36			
Item No.	Description	Qty.	Unit	Item No.	Description	Qty.	Unit
3	Flexible Hose Stainless 1/2" x 1/2" x 16"	6	pcs	3	Flexible Hose Stainless 1/2" x 1/2" x 16"	6	rolls
				Note: Please see Annex C, revised page 36			

Reference				Clarification/s
Section VII. Technical Specifications <i>page 28</i> LOT 1: Ceiling Works				<p><i>Question:</i> What are the thicknesses of items 3, 4, and 5?</p> <p><i>Answer:</i> The thickness of the material for items 3, 4, and 5 is 0.5mm.</p>
Item No.	Description	Qty.	Unit	
3	Double Metal Furring 19mm x 50mm x 5mm	2,784	pcs	
4	Wall Angle 25mm x 25mm x 3000mm (10')	316	pcs	
5	Carrying Channel 12mm x 38mm x 5000mm	2,320	pcs	
LOT 2: Electrical Works <i>page 29</i>				<p><i>Question:</i> More specification on the Circuit Breaker for the main and branches. Nema Rating? Color/Finish? Accessories?</p> <p><i>Answer:</i> For this item, we are only referring to the panel board, not the circuit breaker. For Panel Board specification: NEMA Rating: Type 2 Color: Gray (Panel Board) Accessories: None</p>
Item No.	Description	Qty	Unit	
32	GA #16 Panel Board (14 Branches) 2 Pole, Bolt On	2	sets	
LOT 3: Wall Cladding Frameworks <i>page 31</i>				<p><i>Question:</i> What are the thicknesses of items 1, 2, and 3?</p> <p><i>Answer:</i> The thickness of the material for items 1, and 2 is 0.5mm. The thickness of the material for item 3 is 9mm.</p> <p><i>Question:</i> What kind of plywood is required for item 5, Marine or Ordinary?</p> <p><i>Answer:</i> Marine Plywood.</p>
Item No.	Description	Qty.	Unit	
1	Metal Studs 35mm x 76mm x 3000mm	594	pcs	
2	Metal Tracks 36mm x 76mm x 2440mm	132	pcs	
3	Fiber Cement Board 9mm x 1220mm x 2440mm	379	pcs	
5	Plywood 3/4" x 1220mm x 2440mm	25	pcs	

LOT 4: Construction Tools, Equipment and Accessories

Page 33

Item No.	Description	Qty	Unit
40	Black Screw 1" (1,000 pcs/bx)	29	Boxes
41	Black Screw 1 1/2" (500 pcs/bx)	57	Boxes

Question:

Are these black screws for wood or for metal?

Answer:

The black screws are for wood.

LOT 6: Plumbing works and Accessories

Page 36

Item No.	Description	Qty.	Unit
1	Angle Valve Brass 1/2" x 1/2" (Single)	2	pcs
2	Angle Valve Brass 1/2" x 1/2" (Dual)	4	pcs
4	PPR Pipe 3/4" x 25mm x 3.5mm	27	pcs
5	PPR Pipe 1/2" x 20mm x 2.8mm	13	pcs

Question:

For item 1, is this one-way angle?

Answer:

Yes.

Question:

For item 2, is this two-way angle?

Answer:

Yes.

Question:

For items 4, and 5, what is the nominal pressure required for these pipes? (e.g. PN 16, PN 20, etc.)?

Answer:

The nominal pressure is 1.25 MPa

Question:

May we request sample pictures for the following items 39, 40, 41, 43, 44, 45, 46, 47, 48 49, 50, 51, and 53.

Answer:

Please see the attached pictures for your reference.

Other Queries:

Are we [the Bidders] required to submit Omnibus Sworn Statement (OSS) for every lot?

No. You may submit only one OSS, provided that the lot/s you are joining in is/are specified in the OSS.

Is the Project an Infrastructure Project?

No, the Project is categorized as "Goods" and SEC is only procuring supply and delivery of construction tools, materials and similar supplies.

What will be the basis of the 50% Single Largest Completed Contract (SLCC) for the project that has 6 lots? Should it be per lot or based on the total amount of lots?

The basis of the 50% SLCC will be the ABC of lot/s that the bidder will join in.

Provision in the bidding documents that are in conflict with this Bulletin are deemed revised/amended. For guidance and information of all concerned.

Issued this 23th May 2024

For the Bids and Awards Committee:



ARMANDO A. PAN, JR.

Chairman

/itj

Section VII. Technical Specifications

Bidders must state here either "Comply" or any equivalent term in the column "Bidder's Statement of Compliance"

Lot 1: Ceiling Works

Item No.	Description	Quantity	Unit	Statement of Compliance
1	Gypsum Board Moisture Resistant 13mm x 1220mm x 2440mm (4'x8')	30	pcs	
2	Gypsum Board (Ordinary) 9mmx1220mmx2440mm (4'x8')	464	pcs	
3	Double Metal Furring 19mm x 50mm x 5000mm	2,784	pcs	
4	Wall Angle 25mm x 25mm x 3000mm (10')	316	pcs	
5	Carrying Channel 12mm x 38mm x 5000mm	2,320	pcs	
6	W Clip 0.5mmthk (Accessories for Metal Furring)	9,280	pcs	
7	J Clip/Hanger 3/8"	500	pcs	
8	Nut & Washer 3/8"	1,000	pcs	
9	Masonry Drill Bit 3/8"	20	pcs	
10	Full Thread Rod 3/8"	110	pcs	
11	Steel Hex Knot 3/8" (100pcs./pack)	10	packs	
12	Angle Bar 1 1/2" x 1 1/2" x 3/16" x 20'	48	pcs	
13	Grip Anchor 3/8"	800	pcs	

I hereby certify that the statement of compliance to the foregoing technical specifications are true and correct otherwise, if found to be false either during bid evaluation, post-qualification or the execution of the contract, the same shall give rise to the imposition of administrative sanctions and the forfeiture of bid security or the performance security posted consistent with section 69.1 and 69.2 of the revised Implementing Rules and Regulations of the Republic Act No. 9184.

AUTHORIZED REPRESENTATIVE:

Signature : _____
 Company Name : _____
 Printed Name : _____
 Position : _____
 Date : _____

21	Phillip Screw Insulated 100-1000V #2	3	sets	
22	Flat Screw Insulated 100-1000V #2	3	sets	
23	Sealant Gun 12"	4	sets	
24	Cutting Disc Metal 105mm x 1.0mm x 16mm	280	pcs	
25	Diamond Cutting Disc 105mm x 1.2mm x 16mm	7	pcs	
26	Flat Sander Machine 200W-140,000(OPM)112mmx102mm	2	sets	
27	Rodela 280mm x 130mm	3	sets	
28	Paleta 4"	8	pcs	
29	Rodela Half Moon 6" with handle	3	sets	
30	Key Hole Saw 8"	2	sets	
31	Pipe Fusion Machine 220-240V/60Hz (20/25/32/40/50/63mm)	1	sets	
32	Auto Butane Blow Torch (Automatic Ignition)	1	sets	
33	Butane Liquified Gas Can 250grams	10	cans	
34	Nylon String 0.45mm, 37meters/roll	16	rolls	
35	Cutter Handle (Big) 18mm High Quality/Safety Knife with Snap off Blade Cutter Handle	12	pcs	
36	Cutter Blade Refill Quick point 18mm (10pcs. /pack)	11	packs	
37	Screw Bit Magnetic 1/4" x 3"	20	pcs	
38	Construction Blue Sack 8"width	20	meters	
39	Empty Sacks 25kg, 20" x 32"	1000	pcs	
40	Black Screw 1" (1,000 pcs/bx)	29	Boxes	
41	Black Screw 1 1/2" (500 pcs/bx)	57	Boxes	
42	Blind Rivets 1/8" (500 pcs/bx)	47	Boxes	
43	Masonry Drill Bit 1/8"	100	Pcs	

/

Lot 6: Plumbing Works and Accessories

Item No.	Description	Quantity	Unit	Statement of Compliance
1	Angle Valve Brass 1/2" x 1/2" (Single)	2	pcs	
2	Angle Valve Brass 1/2" x 1/2" (Dual)	4	pcs	
3	Flexible Hose Stainless 1/2" x 1/2" x 16"	6	rolls	
4	PPR Pipe 3/4" x 25mm x 3.5mm	27	pcs	
5	PPR Pipe 1/2" x 20mm x 2.8mm	13	pcs	
6	PPR Elbow 1/2" x 90 degree (20mm)	20	pcs	
7	PPR Coupling 3/4" (25mm)	24	pcs	
8	PPR Coupling 1/2" (20mm)	24	pcs	
9	PPR Tee 3/4" (25mm)	12	pcs	
10	PPR Tee 1/2" (20mm)	12	pcs	
11	PPR Elbow 1/2" x 45 degree (20mm)	20	pcs	
12	PPR Elbow 3/4" x 45 degree (25mm)	20	pcs	
13	PPR Reducer 3/4" x 1/2" (20mm x 25mm)	24	pcs	
14	PPR End Cap 1/2" (20mm)	16	pcs	
15	PPR End Cap 3/4" (25mm)	16	pcs	
16	PPR Union 1/2" (20mm)	5	pcs	
17	PPR Union 3/4" (25mm)	5	pcs	
18	PPR Female Elbow 1/2" (20mm)	24	pcs	
19	PPR Female Elbow 3/4" (25mm)	24	pcs	
20	PPR Female Threaded Tee 1/2" (20mm)	12	pcs	
21	PPR Female Threaded Tee 3/4" (25mm)	12	pcs	
22	Sanitary PVC Pipe 4"Ø Series 1000, 3meters	10	pcs	
23	Sanitary PVC Pipe 2"Ø Series 1000, 3meters	8	pcs	
24	PVC Wye 4"Ø	12	pcs	
25	PVC Wye 4" x 2"Ø	12	pcs	
26	PVC Clean Out 4"Ø	6	pcs	
27	PVC Elbow 2"Ø x 45 Degrees	10	pcs	
28	PVC Elbow 4"Ø x 45 Degrees	12	pcs	
29	PVC Wye 2"Ø	8	pcs	
30	PVC Elbow 2"Ø x 90 Degrees	12	pcs	
31	PVC P Trap 3"	2	pcs	
32	PVC P Trap 2"	4	pcs	
33	PVC Elbow 4"Ø x 90 Degrees, 750mm x 390mm x 740mm (White)	12	pcs	
34	Marine Epoxy A & B (4liters)	2	gals	
35	Teflon Tape 1/2" x 10m	30	pcs	
36	PVC Pipe Cement 400cc	8	cans	
37	PVC Wye 4" x 3" (Sanitary Orange)	4	pcs	
38	Cement Waterproofing Compound (1kg/bag)	34	bags	
39	Shower Column w/ B/S Faucet Dimension: Straight Shower Column 1270mm (203mmØ) Showerhead and Awaken Geometric 110mmØ Hand shower) Finish: Polished Chrome/Faucet Dimension: 165mm x 106mm	2	sets	
40	1 pc. Water closet with Slim Concealed French Curve Seat Dimension: (733 x 377 x 749.50mm) Color: White, Operating System: Revolution 360/Liters Per Flush: 3/4.8 liters/Minimum Roughing-in: S-trap 305mm	2	sets	

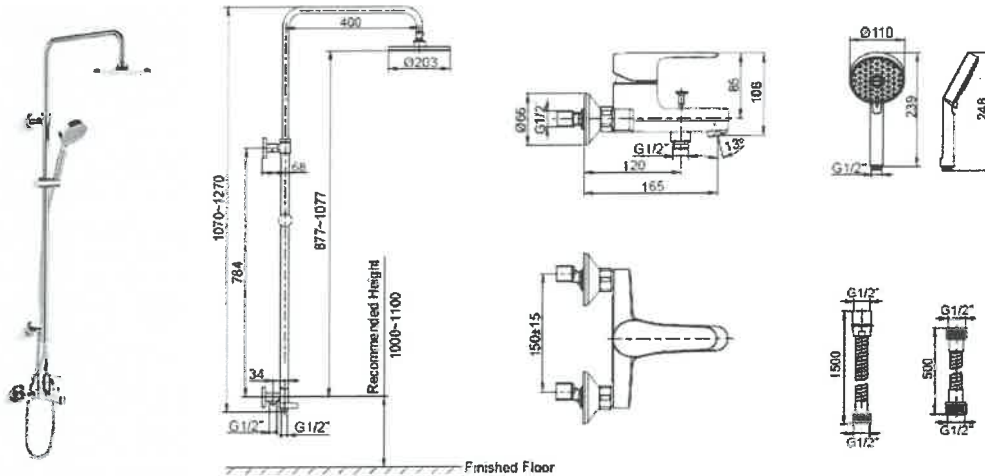
/o

SAMPLES

Item 39) 2 sets Shower Column w/ B/S Faucet Dimension: Straight Shower Column 1270mm (203mmØ) Showerhead and Awaken Geometric 100mmØ Hand shower) Finish: Polished Chrome/
Faucet Dimension: 165mm x 106mm

Angular shower column with 8" Katalyst Showerhead

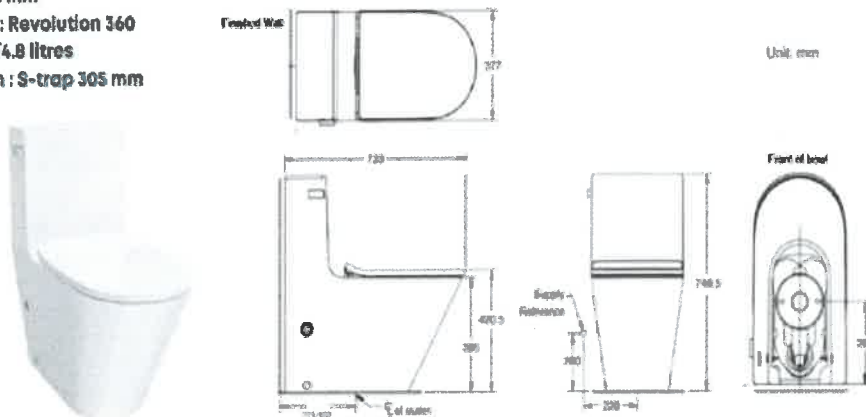
Includes : July wall-mounted bath and shower mixer, straight shower column with diverter, adjustable shower bracket, Awaken geometric 110 mm handshower, flexible hose and 8" Katalyst showerhead
Polished chrome



Item 40) 2 sets 1 pc Water Closet with Slim Concealed French Curve Seat Dimension: (733 x 377 x 749.50mm) Color: White, Operating System: Revolution 360/Liters Pre Flush: 3/4.8 liters/Minimum
Roughing-in: S-trap 305mm

1-PG. WATERCLOSET

Product Specification:
Overall Dimensions : 733 x 377 x 749.50 mm
Height To Rim : 395 mm
Operating System: Revolution 360
Litres Per Flush : 3/4.8 litres
Minimum Rough-in : S-trap 305 mm
Color : White

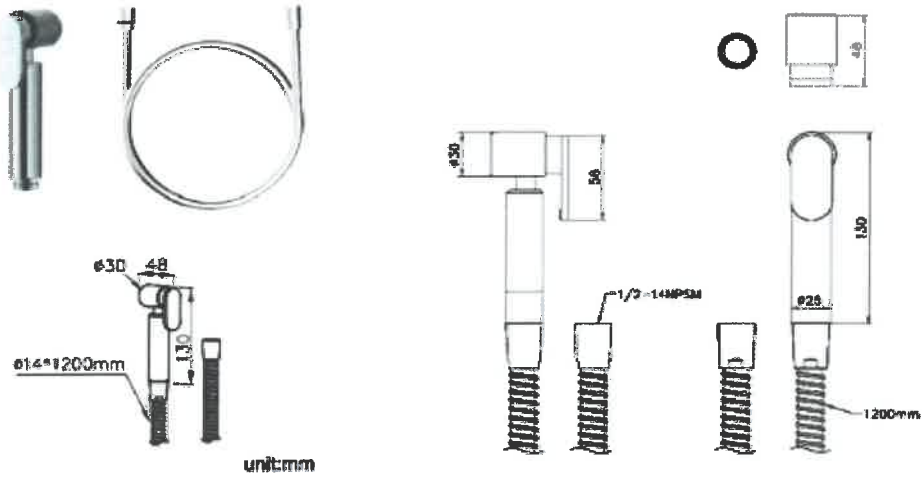


The SEC Headquarters, 7907 Makati Avenue
Salcedo Village, Bel-air, Makati City
(+63 2) 8818 0921
www.sec.gov.ph | imessagemo@sec.gov.ph



Item 41) 2 sets Bidet Spray Stainless Steel, Size: Dia. 30 x 48 x 1200mm Finish: Polished Chrome

BIDET SPRAY WITH 1200 MM HOSE & BRACKET

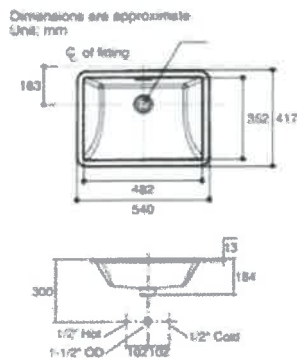


Item 43) 2 sets Rectangular Undercover Lavatory Overall Size: 540 x 417 x 184mm, Basin Dimension: 482 x 352 x 130mm Color: White, Material: Vitreous China, with overflow drain, includes clamp assembly, includes lavatory drain

RECTANGULAR UNDERCOUNTER LAVATORY

Product Specification:
Installation: Undercounter
Faucet Drilling: None
Overall Dimensions: 540 x 417 x 184 mm
Basin Dimensions: 482 x 352 x 130 mm
Material: Vitreous China

- Features:**
- With overflow drain
 - Includes 52047 clamp assembly
 - Includes lavatory drain
 - White color



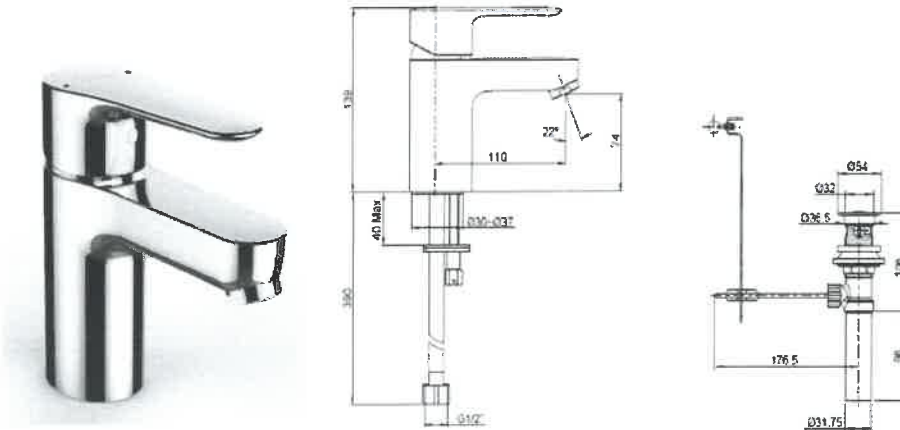
The SEC Headquarters, 7907 Makati Avenue
 Salcedo Village, Bel-air, Makati City
 (+63 2) 8818 0921
 www.sec.gov.ph | lmessage@sec.gov.ph



Item 44) 2 sets 1 Hole Lavatory Faucet Size: 110mm spout reach; 74mm spout height lever handle, includes: 100mm spout, valve, handle, aerator, drain kit, supplies, connection assy. Finished Polished Chrome

Single lever lavatory faucet

Dimension: 110 mm spout reach; 74 mm spout height
Lever handle
Includes: 110 mm spout, valve, handle, aerator
drain kit, supplies, connection assy
Polished chrome



Item 45) 6 pcs Contertop: Calacatta Novus Quartz (2720mm x 600mm)



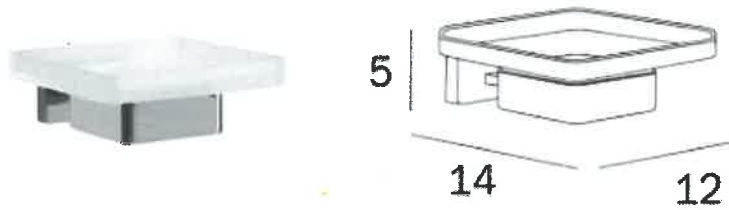
Calacatta Novus Quartz (2720mm x 600mm)



Item 46) 2 pcs Soap Dish Holder Dimension: L12 x W14 x H5 cm Material: Opaque Glass Dish and Stainless Steel, Finish: Opaque Glass and Polish Chrome

WALL-MOUNTED SOAP HOLDER

- 12 x 5 H x 14 cm
- Satined glass dish
- Chrome plated



Item 47) 2 pcs Tumble Holders Dimension: 20 x 11 x 16cm (Hand Liquid Soap holder + Toothbrush Holder) Material: Opaque Glass and Stainless Steel, Finish: Opaque Glass and Polished Chrome



Data sheet

Material:

Finish:

Dimension:

Features:

Base:

Chrome Plated

5 x 12 x 16 Centimeter

Pure Design, Geometric And minimalist Rectangular Shape

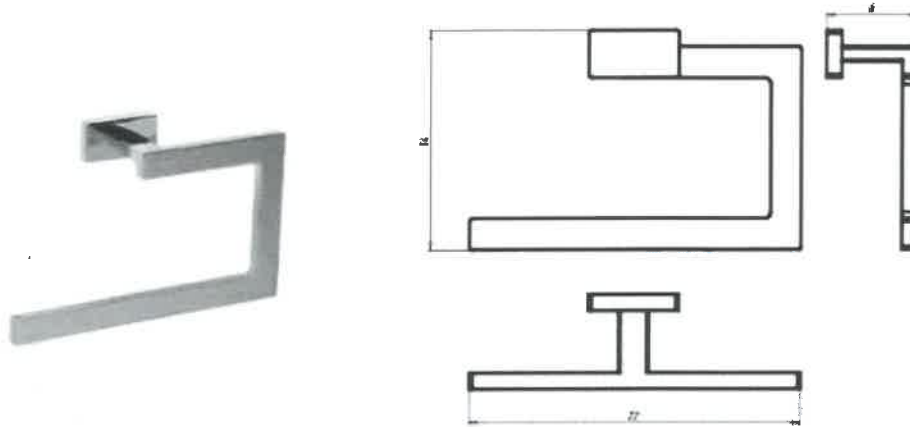
The SEC Headquarters, 7907 Makati Avenue
Salcedo Village, Bel-air, Makati City
(+63 2) 8818 0921
www.sec.gov.ph | imessagemo@sec.gov.ph



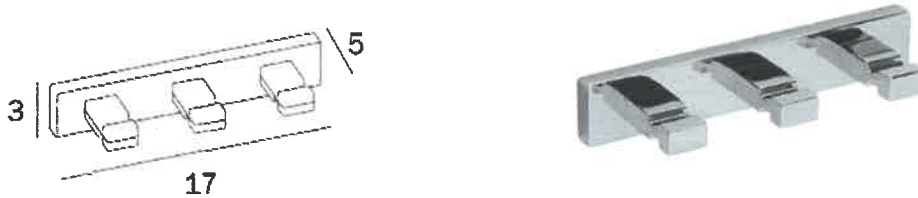
Item 48) 2 pcs Stainless Steel Towel Ring Dimension: 22 x 6 x 14cm, Finish: Polish Chrome

TOWEL RING

- 22 x 14 H x 6 cm
- Chrome plated



Item 49) 2 pcs Stainless Steel Triple Hook Dimension: 17 x 5 x 3cm, Finish: Polished Chrome



Data sheet

Material

Finish

Frame

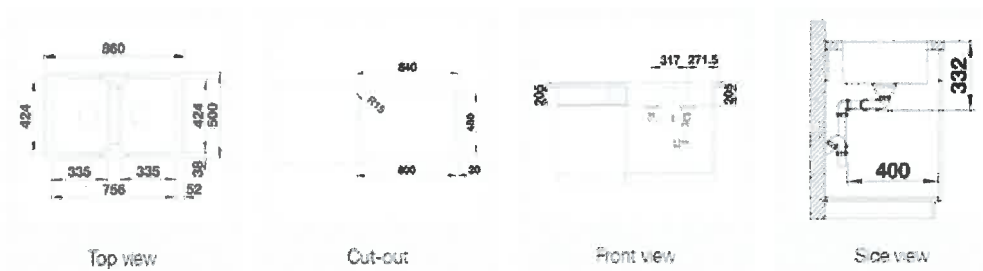
Chrome-Plated

The SEC Headquarters, 7907 Makati Avenue
Salcedo Village, Bel-air, Makati City
(+63 2) 8818 0921
www.sec.gov.ph | lmessage@sec.gov.ph

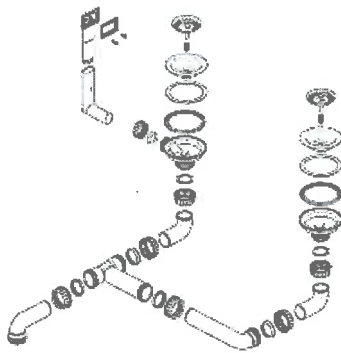


**Item 50) 2 pcs Kitchen Sink (Stainless Steel) (Outside Measurement 860mm x 500mm x 180mm)
Double Sink**

- Modern linear shape
- Maximum bowl capacity with two bowls
- Elegant IF flat-rim for flushmount and for installation from above
- Can be installed reversibly
- 3 1/2" basket strainer



Item 51) 2 pcs Waste Fitting Set, Dimension: 2" x 3" x 5" without pop-up control overflow angular for Double Sink



**Waste Fitting Set, Dimension:
2" x 3" x 5" without pop-up
control overflow angular for
Double Sink**



Item 53) 2 sets Kitchen Sink Faucet Stainless Steel (360-degree swivel/Flexible Spout/With Movable Spray/Removable Holder) 480mm x 283mm outside measurement

